



Giga Test Labs

Serving the Electronics Industry with Engineering Excellence

65 GHz Probes



GTL Microwave Probes were developed to provide superior electrical performance and unparalleled durability when used for probing on wafer, package, BGA, PCB, socket, backplane, high density interconnect, etc. The ruggedized probe tips extend the life of the probes.

Electrical Characteristics:

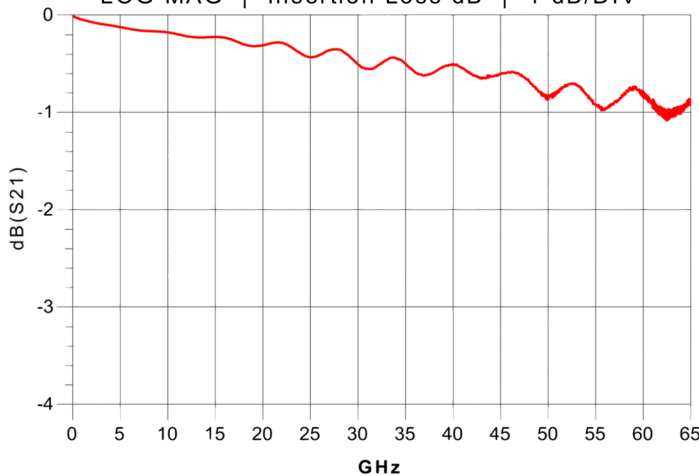
- 50 Ohm Impedance
- DC to 65 GHz Frequency Range
- -15 dB Return Loss
- 1.5 dB Insertion Loss

Mechanical Characteristics:

- Probe Tip Configurations: GS | SG | GSG
- 1.85 mm connector that is mechanically compatible with:
 - 2.4 mm Cables
 - 1.85 mm Cables
- Maximum Connector Torque:
 - 10 inch-lbs
- Gold Plated Probe Tips
- Standard Pitches:
 - 100 μ , 150 μ , 200 μ , 250 μ , 300 μ , 450 μ , 500 μ , 600 μ , 750 μ , 1000 μ
 - Custom Pitches Available

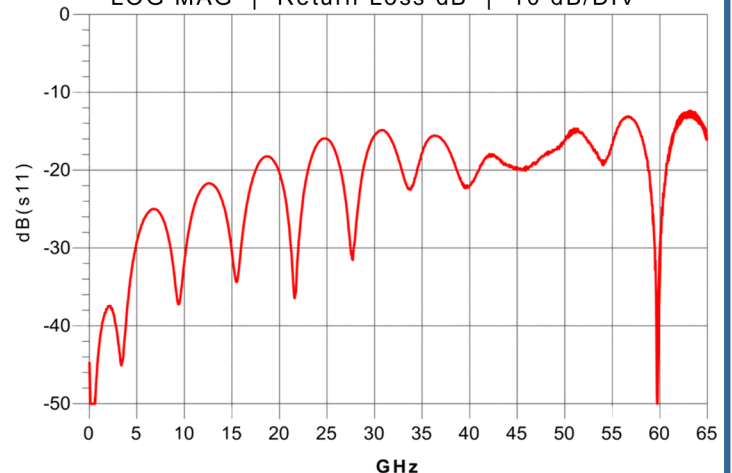
Model GTL65-200-GSG-DX

LOG MAG | Insertion Loss dB | 1 dB/DIV



Model GTL65-200-GSG-DX

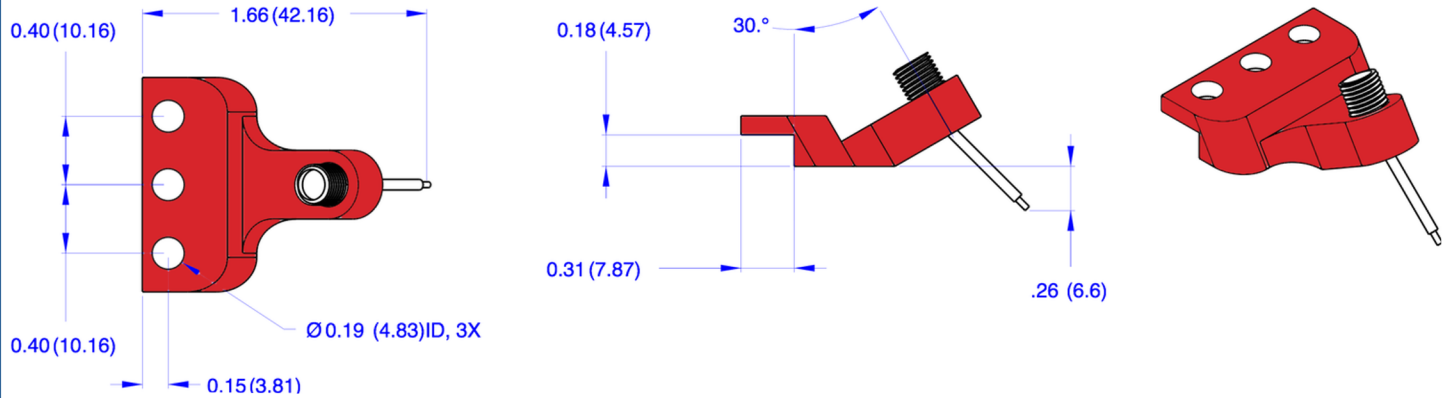
LOG MAG | Return Loss dB | 10 dB/DIV



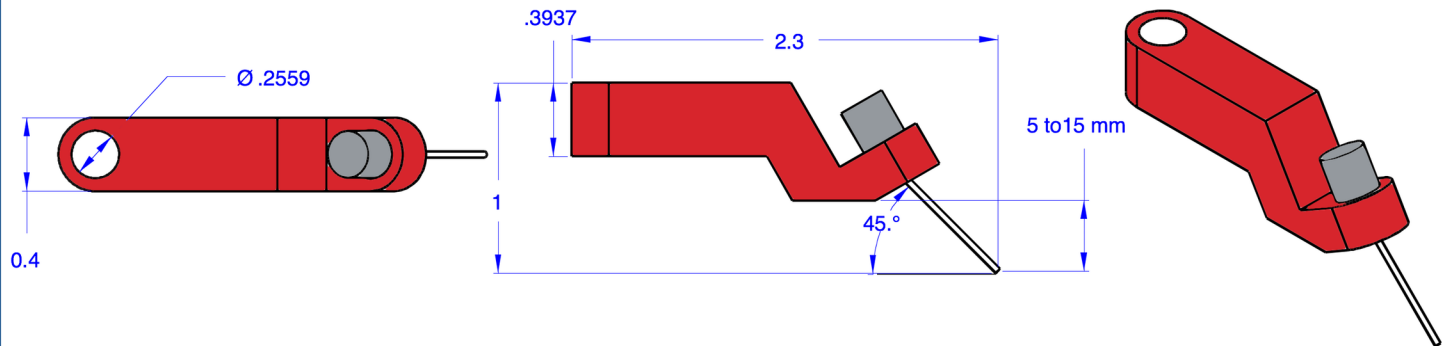


GTL 65 GHz RF Probes

DX Mechanical Outline



Deep Access Mechanical Outline



65 GHz Probes are also available in a Deep Access Probe Body.



Phone:
(408)524-2700

Website:
Gigatest.com