



Giga Test Labs

Serving the Electronics Industry with Engineering Excellence

40GHz Probes



GTL Microwave Probes were developed to provide superior electrical performance and unparalleled durability when used for probing on wafer, package, BGA, PCB, socket, backplane, high density interconnect, etc. The ruggedized probe tips extend the life of the probes.

Electrical Characteristics:

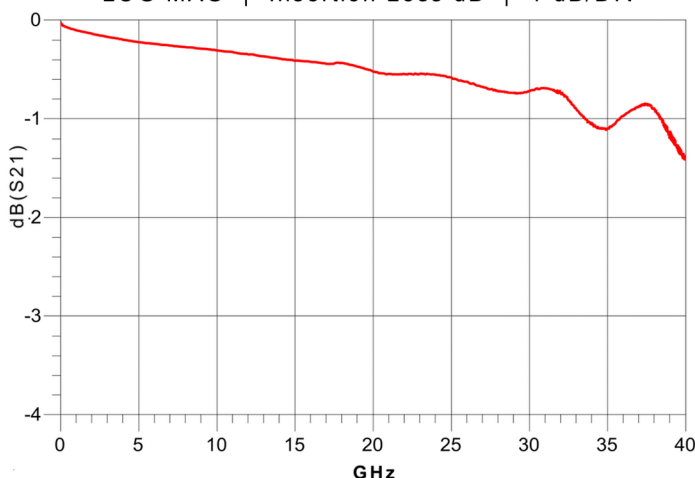
- 50 Ohm Impedance
- DC to 40 GHz Frequency Range
- -15 dB Return Loss
- 1.5 dB Insertion Loss

Mechanical Characteristics:

- Probe Tip Configurations: GS | SG | GSG
- 2.92 mm connector that is mechanically compatible with:
 - SMA Cables
 - 3.5 mm Cables
 - 2.92 mm Cables
- Maximum Connector Torque: •10 inch-lbs
- Gold Plated Probe Tips
- Standard Pitches: 100 μ , 150 μ , 200 μ , 250 μ , 300 μ , 450 μ , 500 μ , 600 μ , 750 μ , 1000 μ
Custom Pitches Available

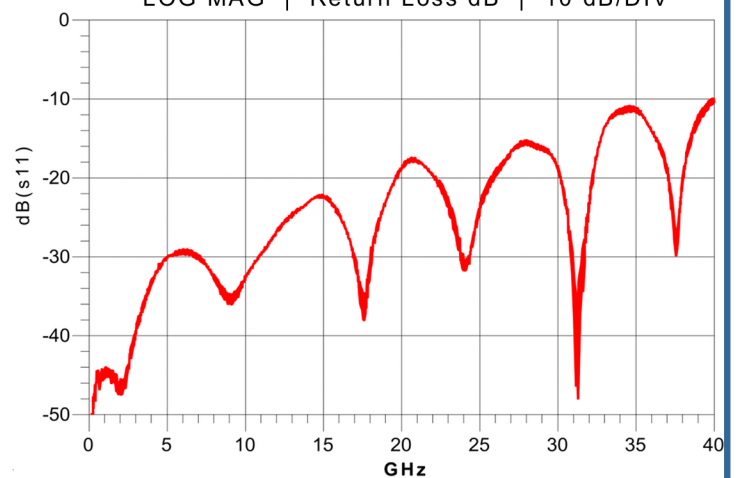
Model GTL40-500-GSG-DX

LOG MAG | Insertion Loss dB | 1 dB/DIV



Model GTL40-500-GSG-DX

LOG MAG | Return Loss dB | 10 dB/DIV



Giga Test Labs

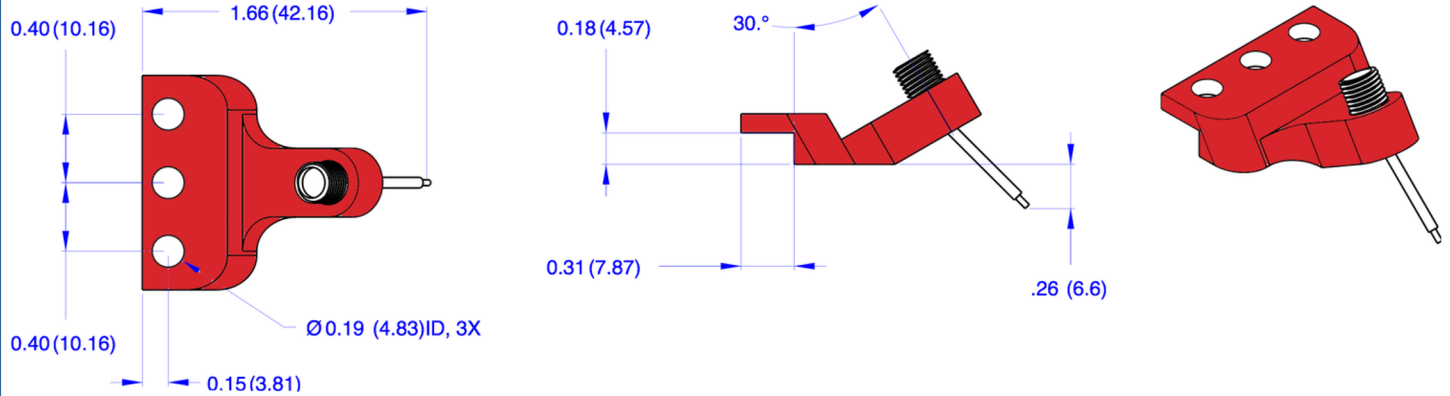
Phone:
(408)524-2700

Website:
Gigatest.com

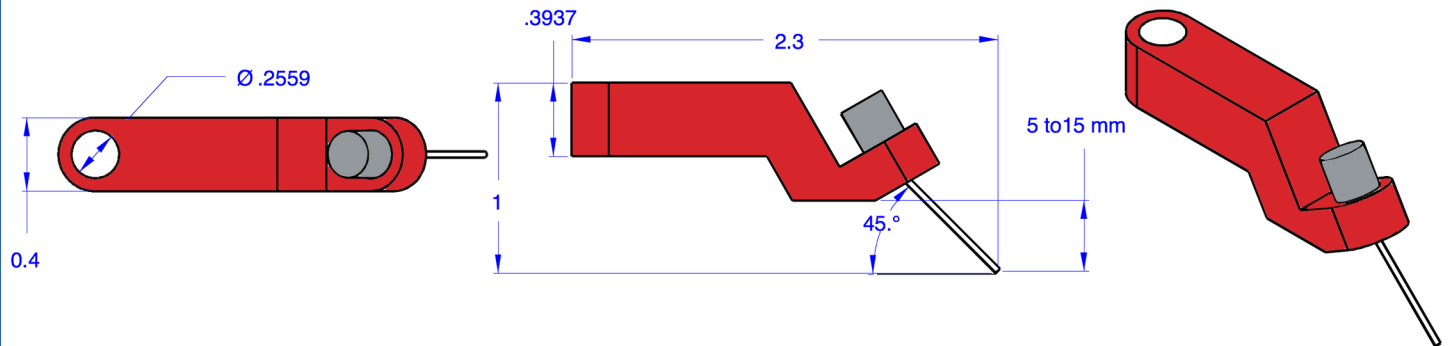


GTL 40 GHz RF Probes

DX Mechanical Outline



Deep Access Mechanical Outline



40 GHz Probes are also available in a Deep Access Probe Body.



双程科技公司
SE TECHNOLOGIES CORP.



KEYSIGHT
TECHNOLOGIES

Solutions Partner



GigaTest Labs

Phone:
(408)524-2700

Website:
Gigatest.com